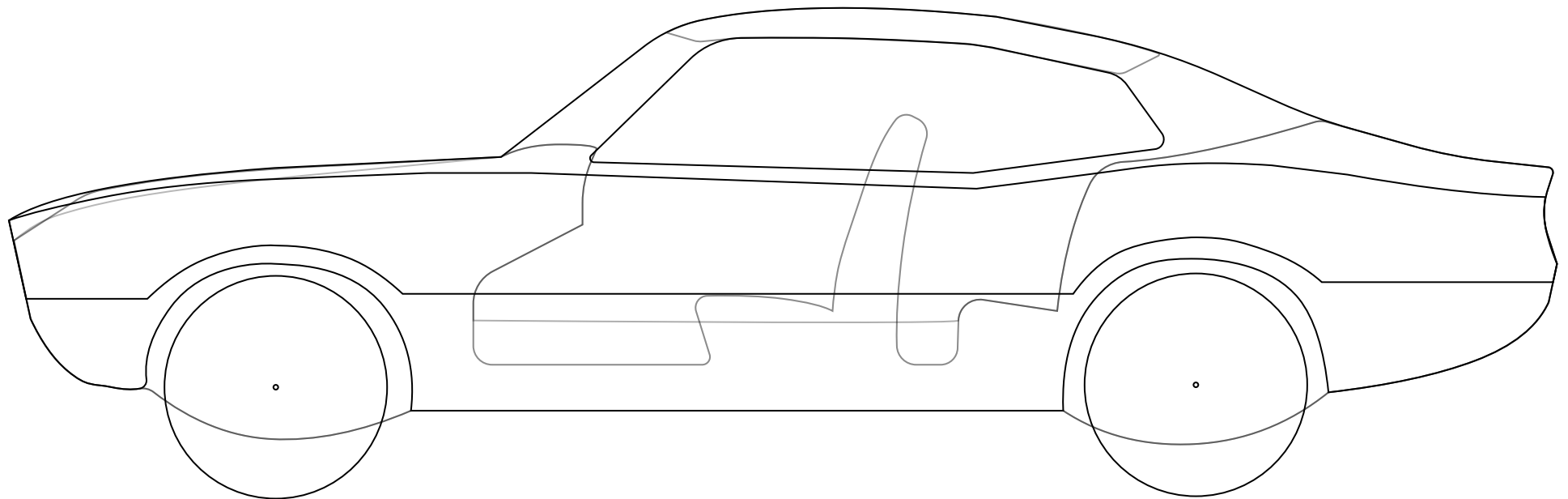
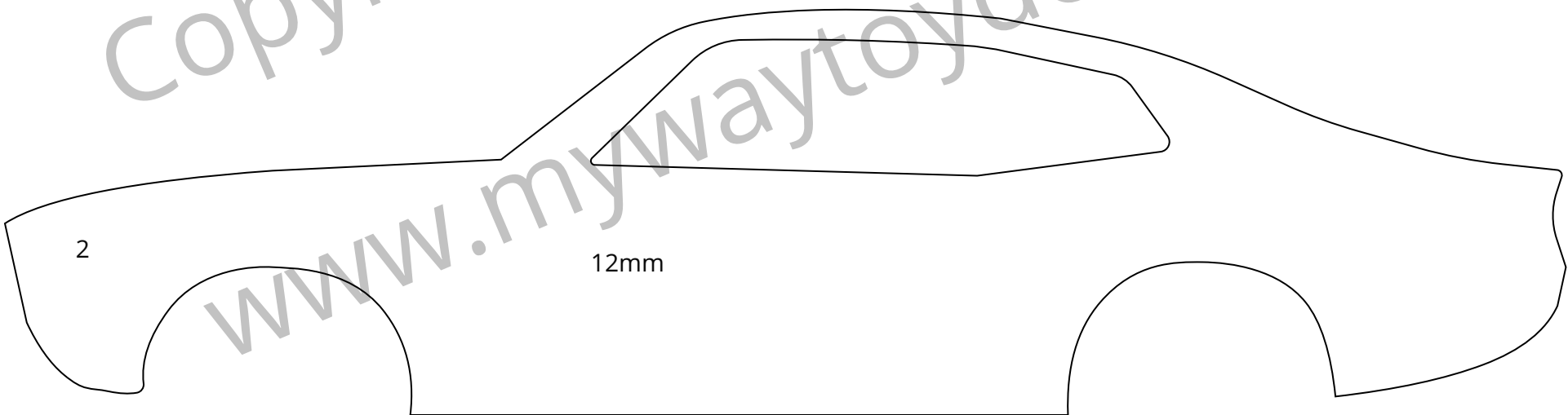
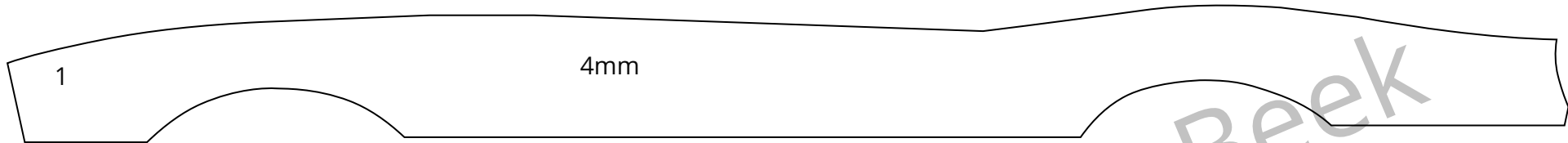




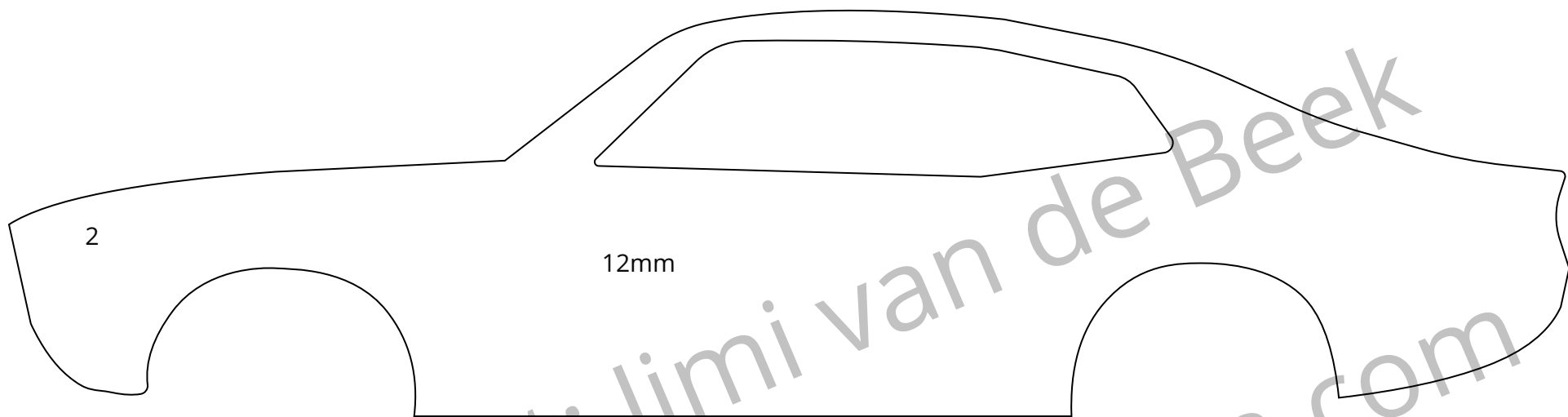
Copyright: Jimi van de Beek

www.mywaytoydesign.com





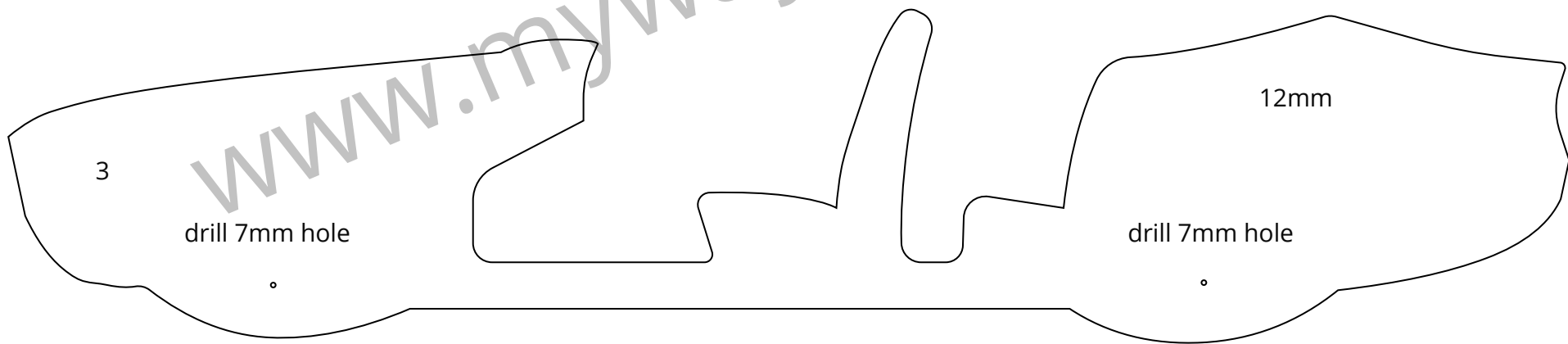
Copyright: Jimi van de Beek
www.mywaytoydesign.com



2

12mm

Copyright: Jimi van de Beek
www.mywaytoydesign.com



3

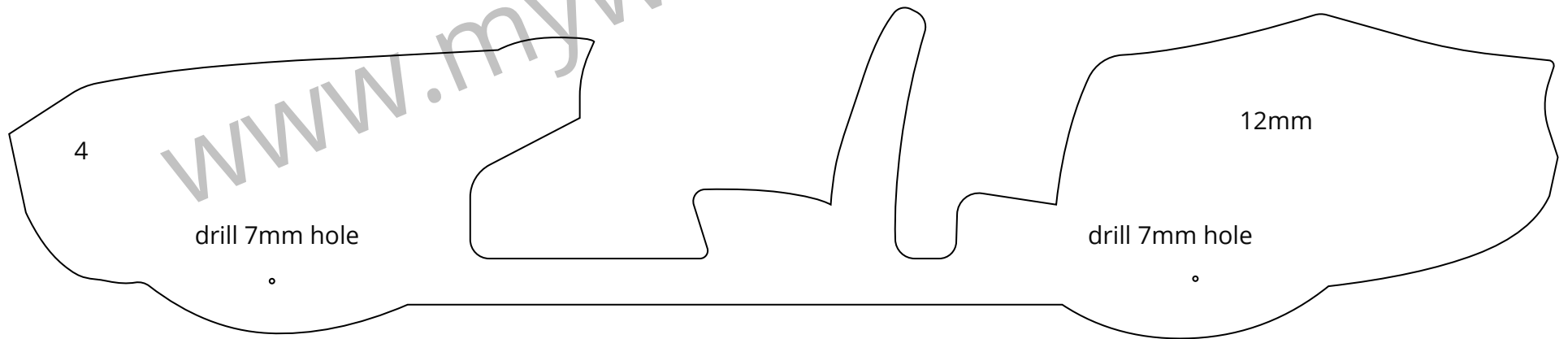
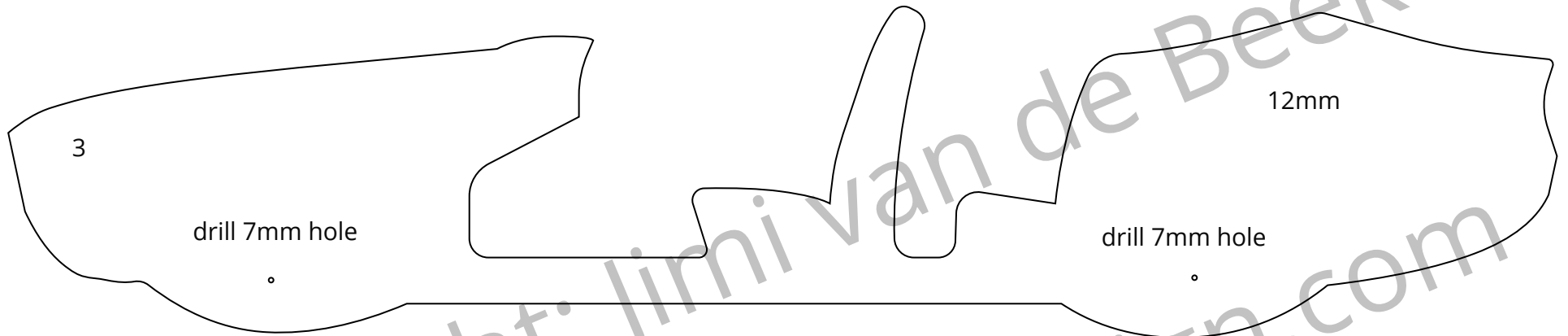
drill 7mm hole



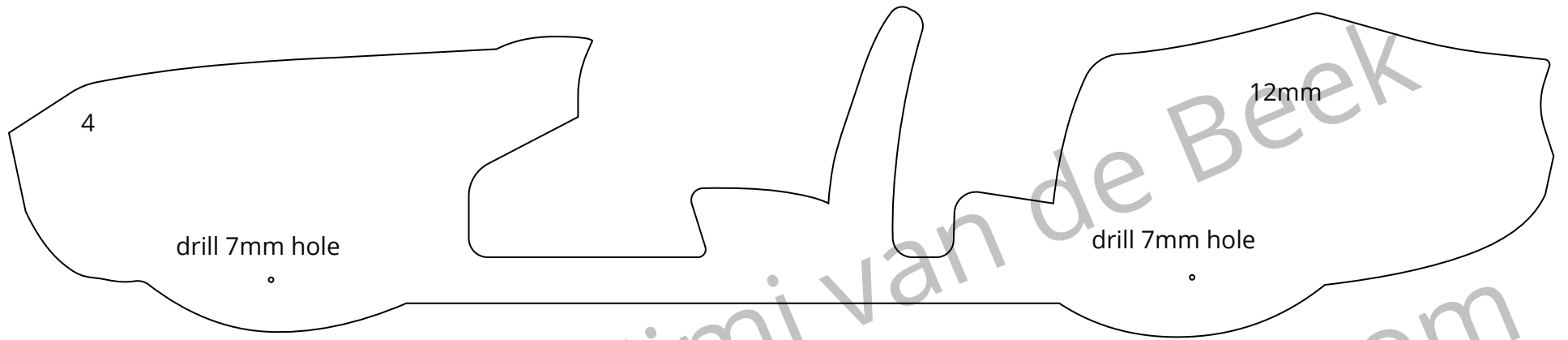
12mm

drill 7mm hole

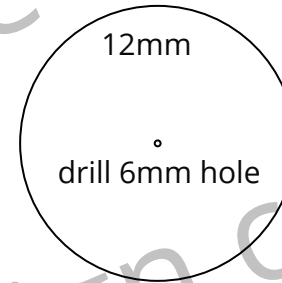
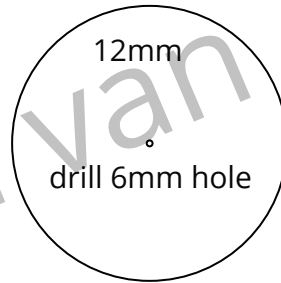
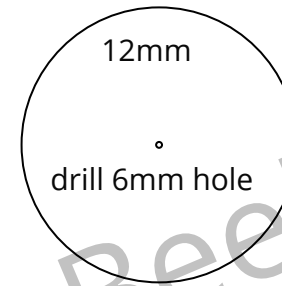
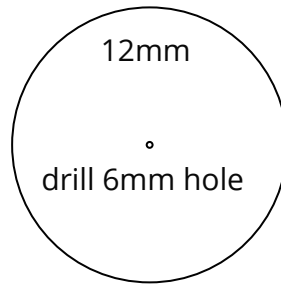
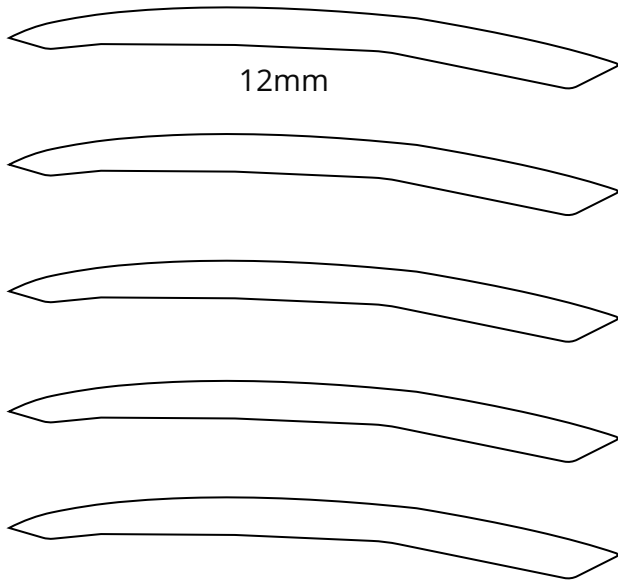




Copyright: Jimi Van de Beek
www.mywaytoydesign.com



Copyright: Jimi van de Beek
www.mywaytoydesign.com



Copyright: Jimi van de Beek
www.mywaytoydesign.com

Order of the parts looking at the front: 1-2-3-4-5-4-3-2-1

Use 6mm wooden axles or axle pegs